

# VCC - Analogline Vacuum Transducer Capacitive

## Absolute Pressure 200 to 0.1 mbar

---



### VCC at a glance

- Corrosion resistant aluminum oxide ceramic sensor
- Insensitive against contamination
- Measurement is independent of gas type
- Excellent accuracy
- High resolution and reliability
- Short response time
- Robust metal housing with protection class IP54
- Standardized output signal 4 - 20 mA (two wire), linear
- Vacuum connection over a stainless steel small flange DN 16 ISO-KF with G1/4 female thread
- Suitable for Thyracont 1 channel controller VD6

### Features of the Analogline product family

- Stable, reproducible measurement values due to optimized temperature compensation
- Precise, digital push button digital adjustment of zero pressure
- Costsaving
- Easy connection to PLCs and other system controllers
- Extremely compact, designed for industrial applications

# VCC - Analogline Vacuum Transducer Capacitive

## Absolute Pressure 200 to 0.1 mbar



### Technical Data

Measuring Principle	Capacitive
Measurement Range	200 - 0.1 mbar (150 - 0.1 Torr)
Materials with Vac. Contact	Stainless steel 1.4305, Al <sub>2</sub> O <sub>3</sub> ceramic, FKM
Max. Overload	6 bar absolute
Accuracy	± 0.25 % from scale end, nonlinearity, hysteresis, repeatability
Temperature Coefficient	< 0.04 % f.s. / 10 K
Response Time (10...90%)	< 120 ms
Power Supply	9 - 30 VDC
Electrical Connection	M12 A, 5-pole, male, lockable
Power Consumption	< 0.6 W
Operating Temperature	+5...+60°C
Storage Temperature	-40...+70°C
Output Signal	4 - 20 mA, linear, max. load resistor in Ω: (Supply Voltage [V] - 9) / 0.02
Vacuum Connection	Stainless steel small flange DN 16 ISO-KF with G1/4 female thread
Protection Class	IP54
Weight	170 g

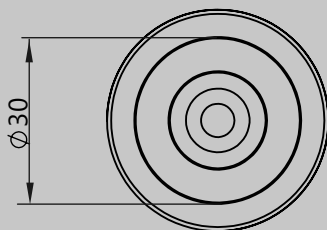
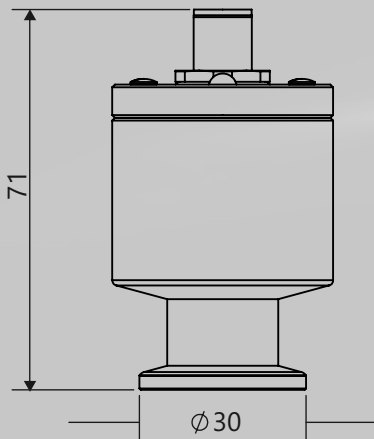
# VCC - Analogline Vacuum Transducer Capacitive

## Absolute Pressure 200 to 0.1 mbar



### Dimensions in mm

VCC200MA4



### Model designations

- VCC200MA4  
output 4 - 20 mA, DN 16 ISO-KF flange, G1/4 female thread

### Accessories

- VD81SW1  
Hose nozzle brass, nickel plated
- XB0500004  
Mating plug, 5pole for VCC200MA4
- W0509002  
Measuring cable for VCC200MA4 with VD6, shielded, 2 m
- W0509006  
Measuring cable for VCC200MA4 with VD6, shielded, 6 m

# VCC - Analogline Vacuum Transducer Capacitive

## Absolute Pressure 200 to 0.1 mbar

---



Thyracont Vacuum Instruments GmbH  
Max-Emanuel-Straße 10  
94036 Passau, Germany

Phone: +49 (0)851 95986 0

Email: [info@thyracont-vacuum.com](mailto:info@thyracont-vacuum.com)

Alterations reserved, version 20171127